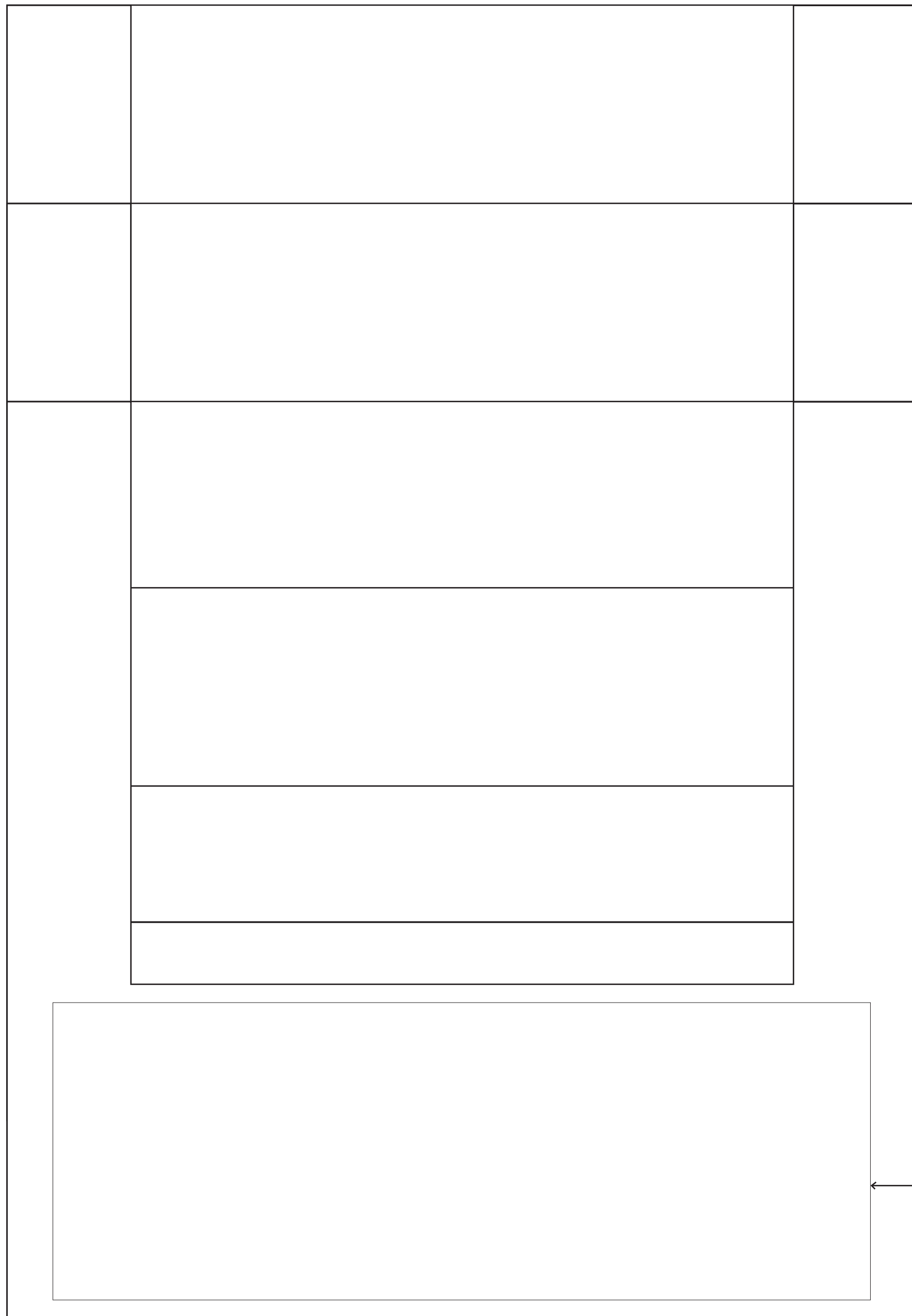
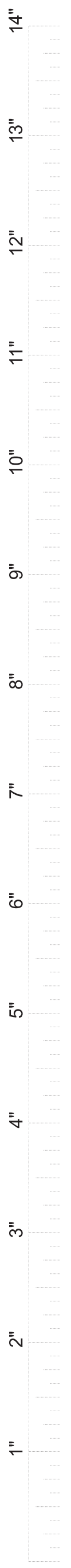
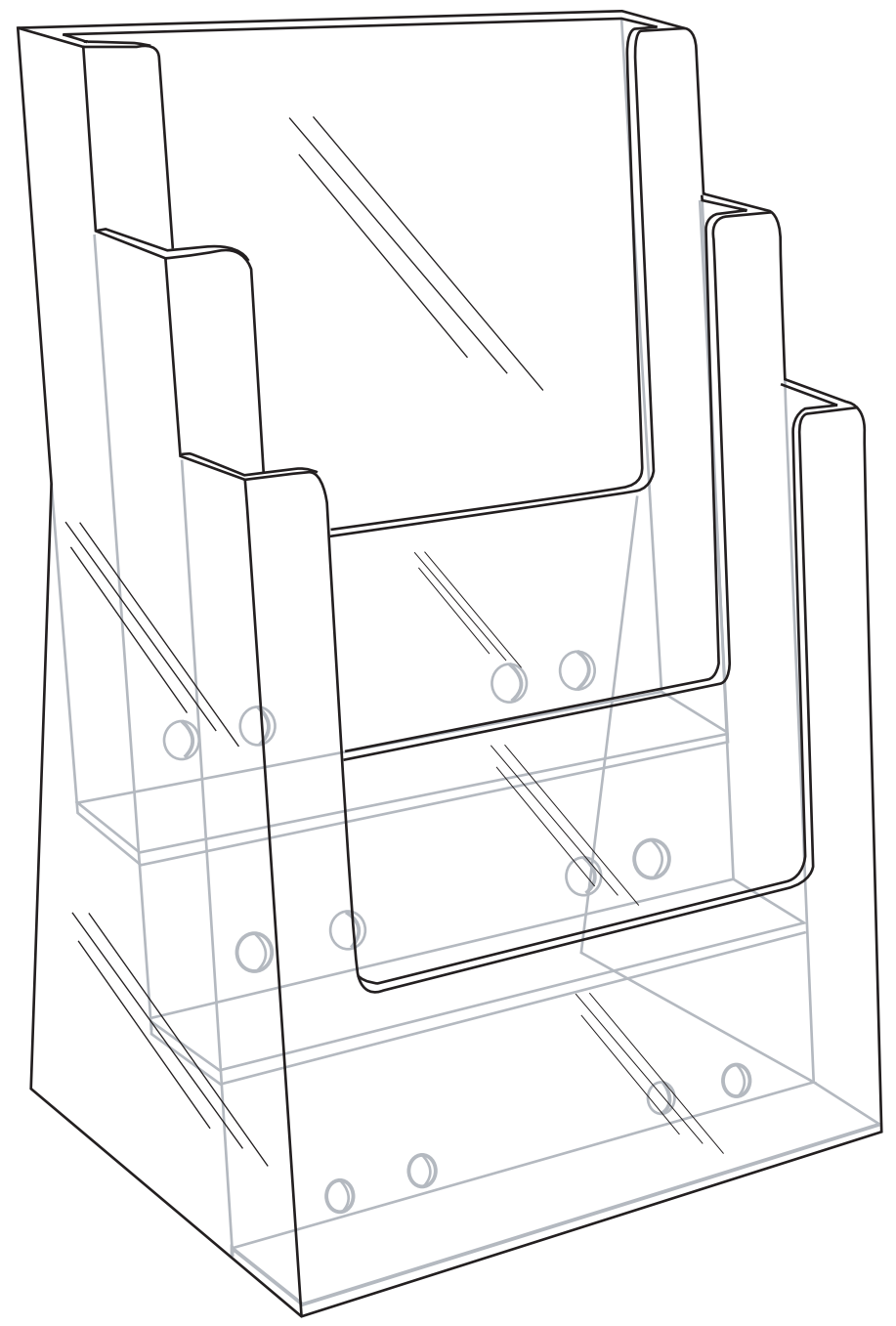


Item#: LHF-S84
4-Tiered Brochure Holder for 8-1/2 x 11



Maximum Printing Area

8 1/4"W x 3"H

